

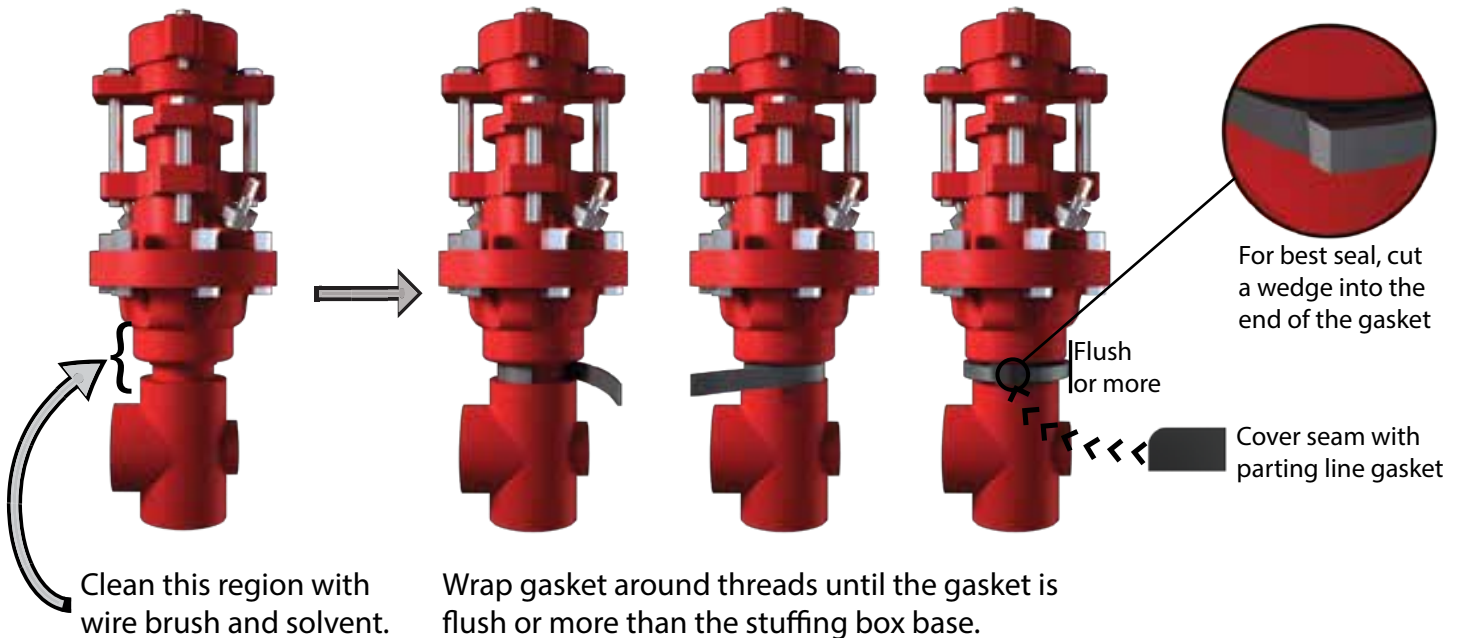
US Patent #8,127,838; 8,342,237; 8,365,817
 Canadian Patent #2,742,466
 800-966-1265
 pollutioncontrolcorp.com

The Original Trapper™ is not a pressurized vessel.
 For colder climates, antifreeze can be added to prevent freezing of fluid.
 Instructions must be followed for a proper installation.

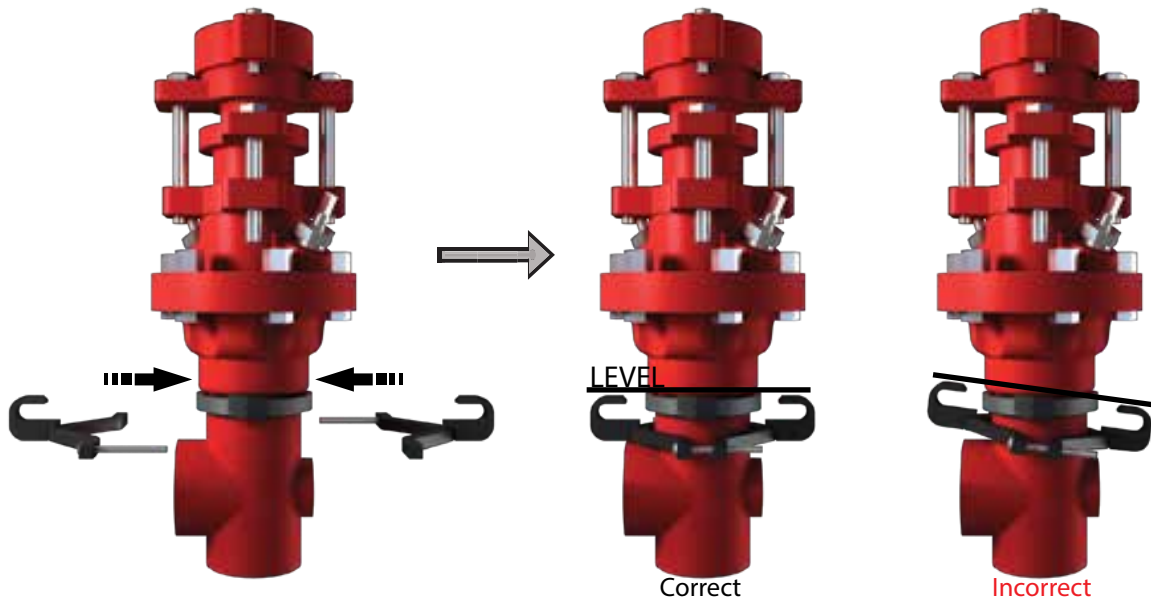
INSTALLATION INSTRUCTIONS FOR *The Original Trapper™*

Tools required: ratchet with 9/16" socket, 9/16" wrench, channel locks, Phillips #3 screw driver, 3/32" Allen wrench, knife, scissors, wire brush, cleaner/solvent, rag

STEP 1 Wrap Gasket Around Threads



STEP 2 Attach Stabilizer



Attach stabilizer tightly to the top of the pumping tee. Make sure that the stabilizer is LEVEL with the wellhead.



INSTALLATION INSTRUCTIONS FOR

The Original Trapper™

US Patent #8,127,838; 8,342,237; 8,365,817

Canadian Patent #2,742,466

800-966-1265

The Original Trapper™ is not a pressurized vessel.

For colder climates, antifreeze can be added to prevent freezing of fluid.

Instructions must be followed for a proper installation.

pollutioncontrolcorp.com

STEP 3 Check Crush Rib Placement



The crush ribs are the seal point of the trapper

Place half of Trapper on stabilizer bar



Crush ribs

This is the region where the gasket will be wrapped in the next step. The best seal is created when the crush ribs are within this region.

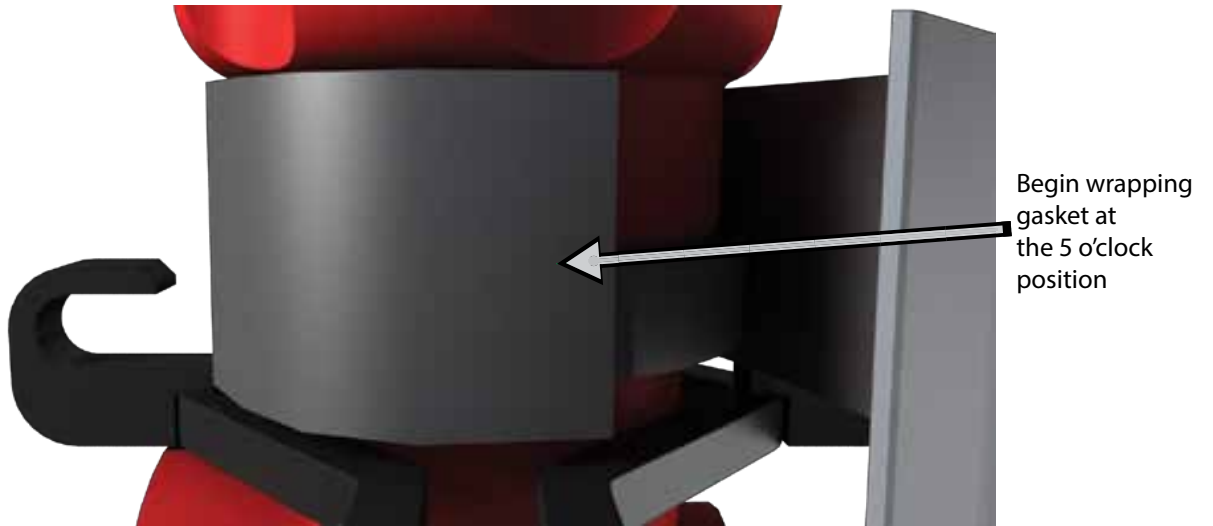
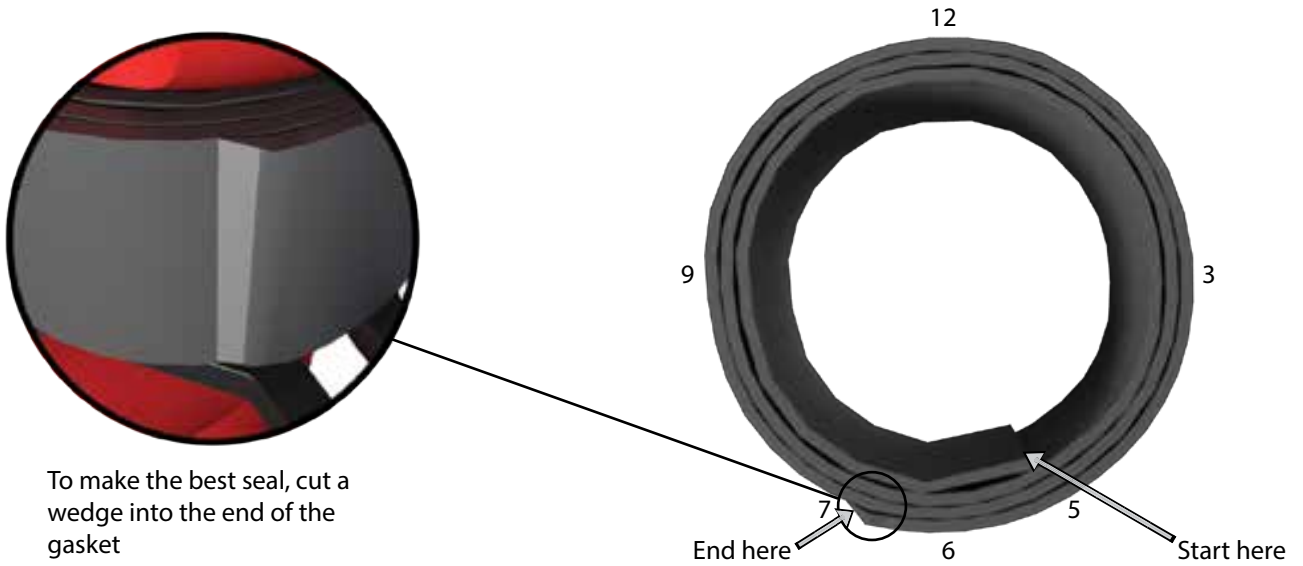


INSTALLATION INSTRUCTIONS FOR
The Original Trapper™

US Patent #8,127,838; 8,342,237; 8,365,817
Canadian Patent #2,742,466
800-966-1265

The Original Trapper™ is not a pressurized vessel.
For colder climates, antifreeze can be added to prevent freezing of fluid.
Instructions must be followed for a proper installation. pollutioncontrolcorp.com

STEP 4 Wrap Belt Gasket Three Times





INSTALLATION INSTRUCTIONS FOR

The Original Trapper™

US Patent #8,127,838; 8,342,237; 8,365,817

Canadian Patent #2,742,466

800-966-1265

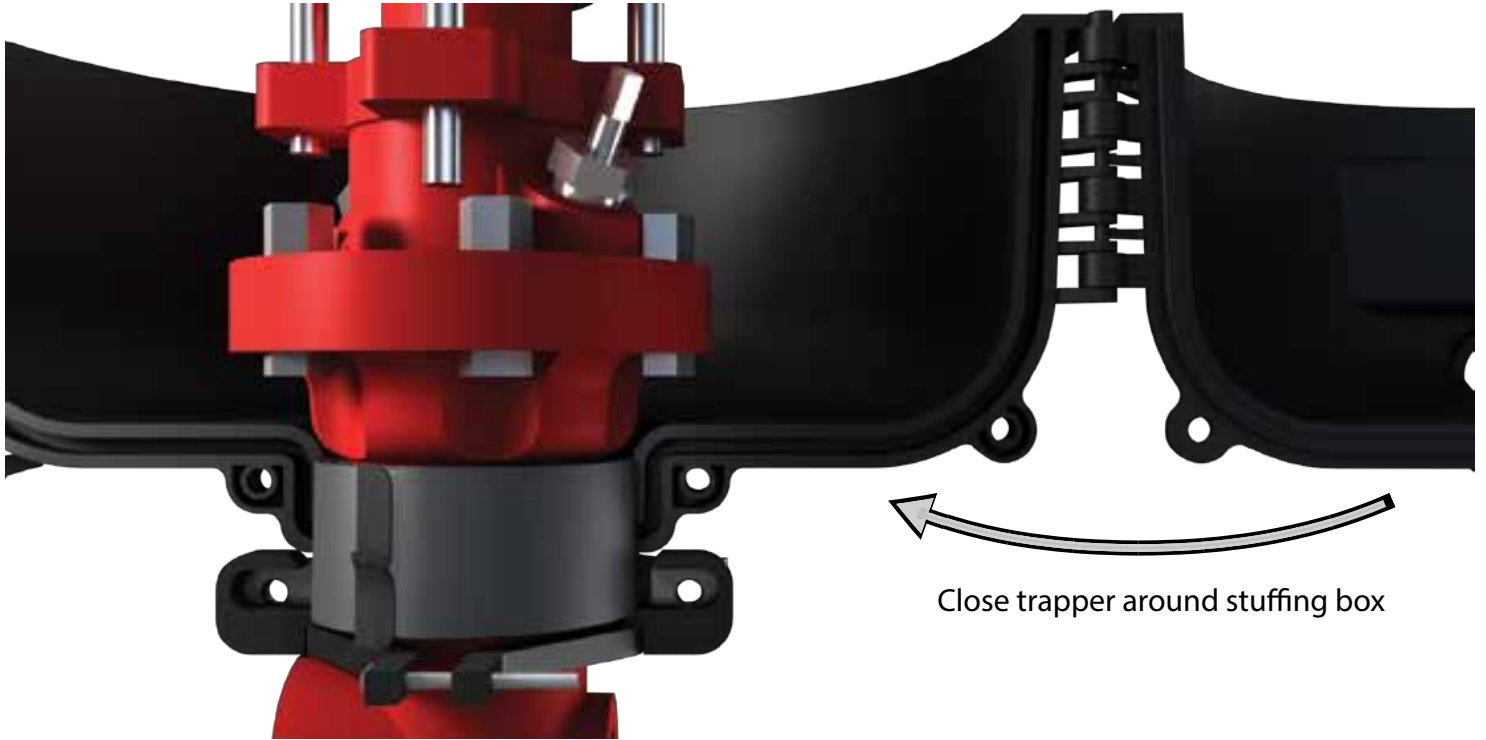
The Original Trapper™ is not a pressurized vessel.

For colder climates, antifreeze can be added to prevent freezing of fluid.

Instructions must be followed for a proper installation.

pollutioncontrolcorp.com

STEP 5 Install Trapper Tub





INSTALLATION INSTRUCTIONS FOR
The Original Trapper™

US Patent #8,127,838; 8,342,237; 8,365,817
Canadian Patent #2,742,466
800-966-1265

The Original Trapper™ is not a pressurized vessel.

For colder climates, antifreeze can be added to prevent freezing of fluid.
Instructions must be followed for a proper installation.

pollutioncontrolcorp.com

STEP 6 Level Tub and Install Remaining Bolts

LEVEL

Make sure Trapper tub is level



LEVEL



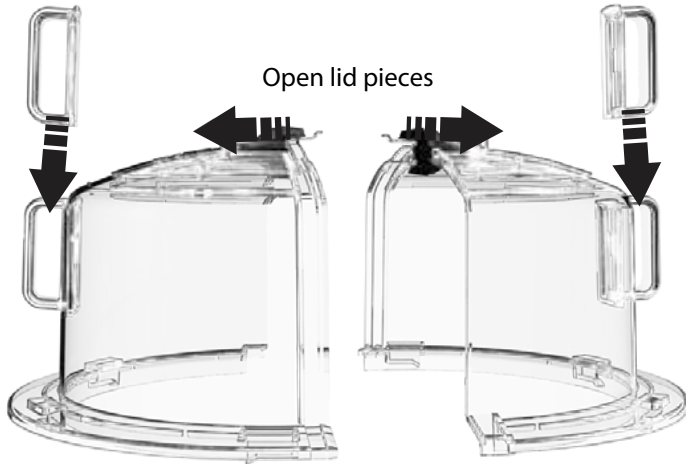
Insert and tighten
3/8" bolts and
washers

The Original Trapper™ is not a pressurized vessel.

For colder climates, antifreeze can be added to prevent freezing of fluid.
Instructions must be followed for a proper installation.

pollutioncontrolcorp.com

STEP 7 Attach Handles



STEP 8 Attach Lid



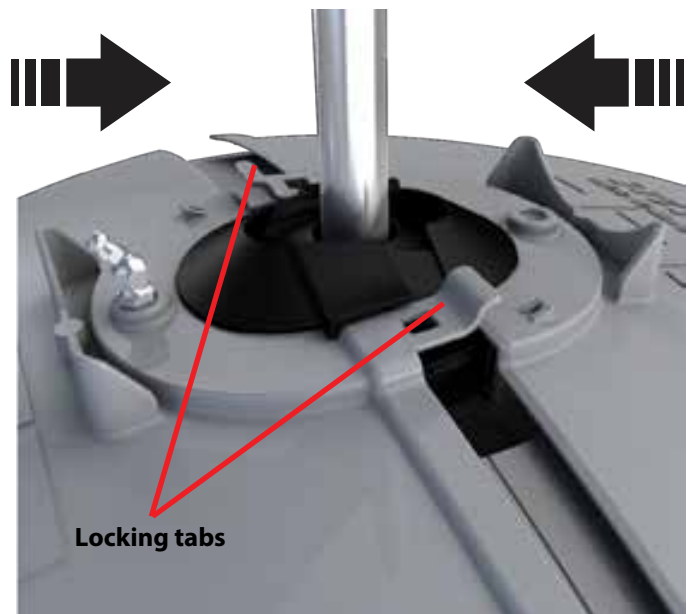
Overlap top and bottom labels correctly
(Labels are reversed on opposite side of lid)

STEP 9 Turn Lid to Lock



Bring lid down over base holes. Turn lid clockwise to lock in place.

STEP 10 Lock Self Centering Lid



Push lid together around polish rod so tabs lock.
(lid shown as gray for illustration)



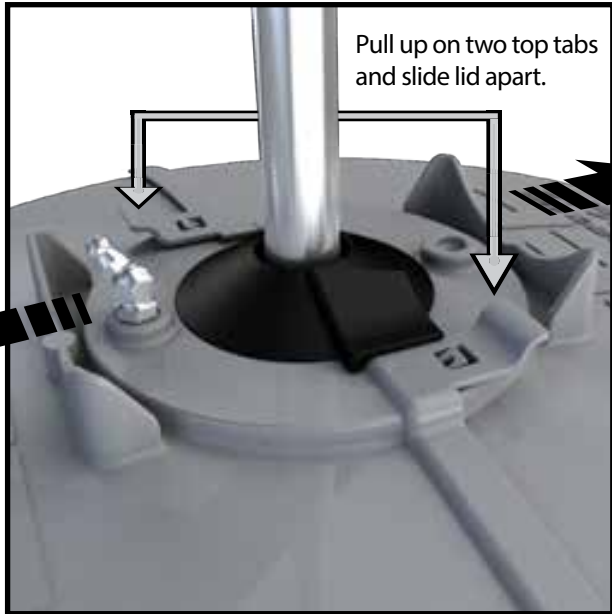
INSTALLATION INSTRUCTIONS FOR
The Original Trapper™

US Patent #8,127,838; 8,342,237; 8,365,817
Canadian Patent #2,742,466
800-966-1265

The Original Trapper™ is not a pressurized vessel.
For colder climates, antifreeze can be added to prevent freezing of fluid.
Instructions must be followed for a proper installation.

pollutioncontrolcorp.com

Removing Lid



Pull up on two top tabs and slide lid apart.



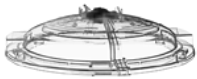
Turn counterclockwise and lift



Grease zerk and grease gun shown

(lid shown as gray for illustration)

3"



7"



11"



14"

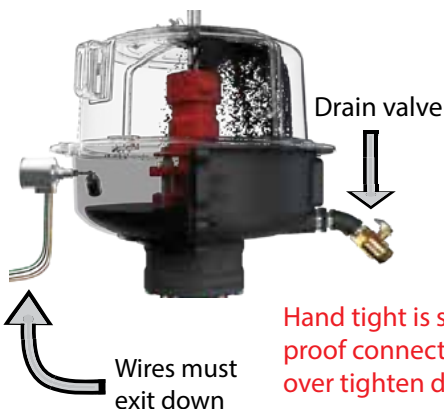


4 Lid sizes available. Lid fits all size polish rods and liners.

STEP 11 The Trapper has Two Configurations

To prevent cross threading, turn counterclockwise first, then clockwise when installing the kill (float) switch and hose barbs.

Configuration 1: Drain Valve

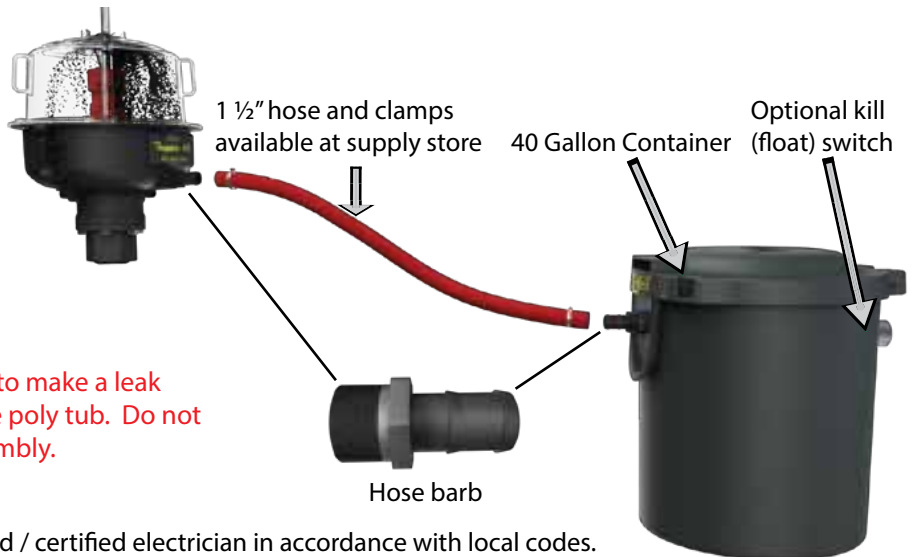


Drain valve

Wires must exit down

Hand tight is sufficient to make a leak proof connection in the poly tub. Do not over tighten drain assembly.

Configuration 2: Trapper Container



1 1/2" hose and clamps available at supply store

40 Gallon Container

Optional kill (float) switch

Hose barb

The kill (float) switch must be installed by a licensed / certified electrician in accordance with local codes.

* Disclaimer- It is the operator's responsibility to ensure that kill (float) switch specifications are met & regular testing is performed.



The Original Trapper™ is not a pressurized vessel.

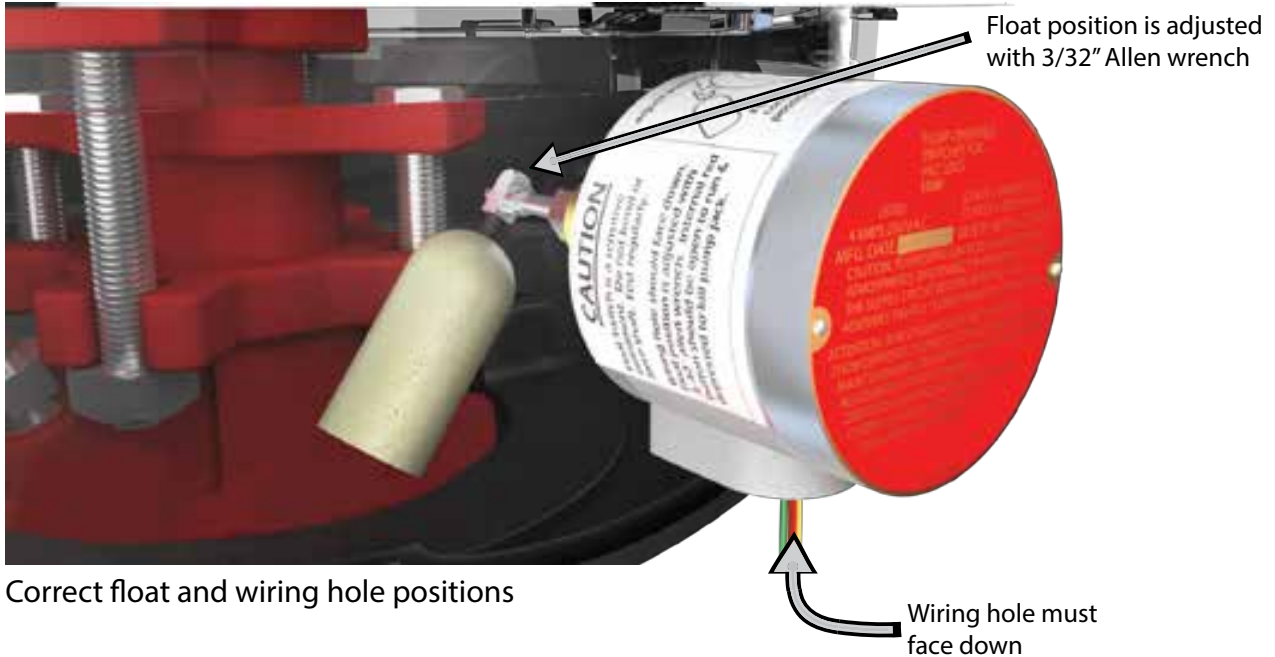
For colder climates, antifreeze can be added to prevent freezing of fluid.
Instructions must be followed for a proper installation.

pollutioncontrolcorp.com

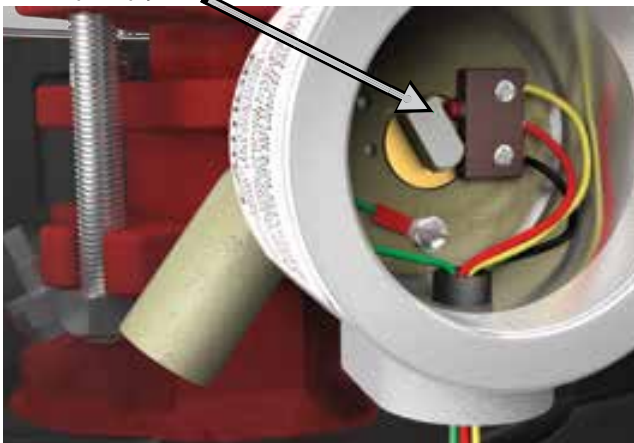
STEP 12 Kill (float) Switch Installation - details for certified electrician

CAUTION

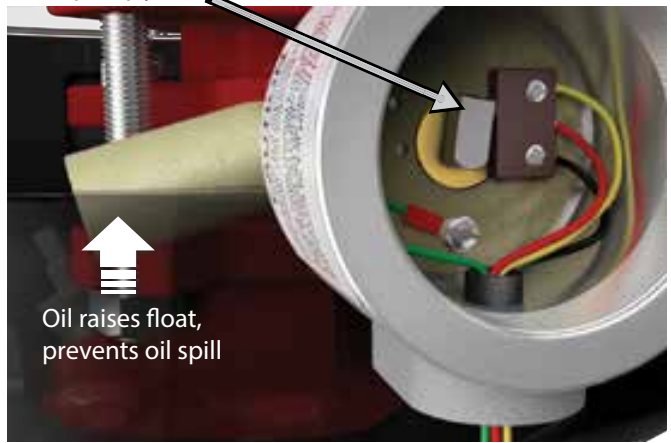
Kill (float) switch is a sensitive instrument. Do not bend or force shaft. Test regularly.
Internal red button should be open to run and depressed to kill pump jack.



Internal red button is open to run pump jack



Internal red button is depressed to kill pump jack



CAUTION

Kill (float) switch is a sensitive instrument. Do not bend or force shaft. Test regularly.

The kill (float) switch must be installed by a licensed / certified electrician in accordance with local codes.

* Disclaimer- It is the operator's responsibility to ensure that kill (float) switch specifications are met & regular testing is performed.