



INSTALLATION INSTRUCTIONS FOR THE REMOTE
GREASE ZERK ASSEMBLY IN THE *The Trapper™ F8* TUB
PCC Part # 121-6438

*Important note - this grease hose assembly has a maximum pressure rating of 1000 psi.

***BE SAFE. DO NOT USE POWER DRILL IN RESTRICTED AREAS.**

* **BE SURE WELL IS DEPRESSURIZED BEFORE DISCONNECTING QUICK CONNECTS.**

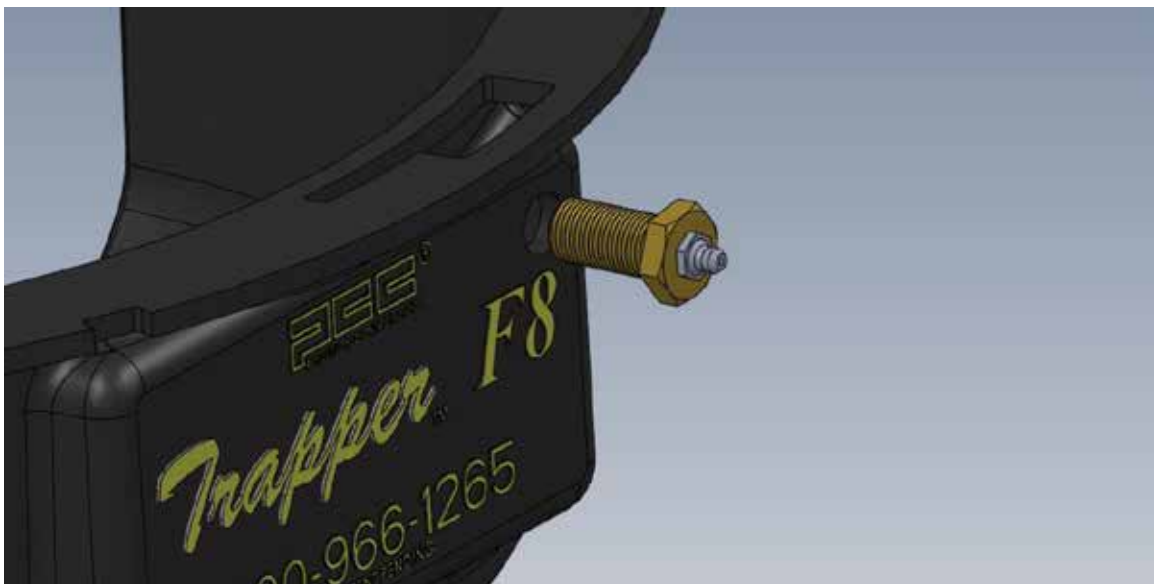
For ease of installation make connections to stuffing box **BEFORE** installing Trapper.

Items needed: Remote grease zerker kit, 5/8" drill bit and drill, adjustable wrench or 7/8" & 7/16" wrenches.

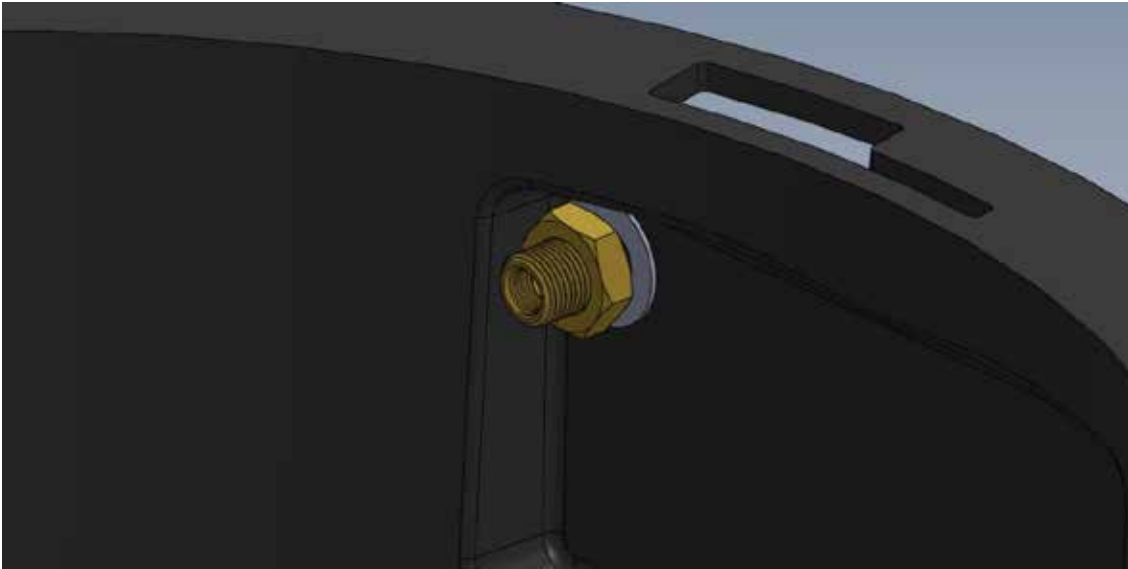
Step 1 Drill a 5/8" hole on the front upper right corner above the F8, measure in 1/2" from the top and 1/2" from the edge.



Step 2 Remove the nut and washer from the bulkhead fitting and insert the bulkhead fitting into the hole from the front.



Step 3 Install washer and nut on the back of the bulkhead fitting and tighten.



Step 4 Thread the swivel end of the hose into the bulkhead fitting and tighten.



Step 5 Remove existing grease zerks from the stuffing box and thread the 1/8" male quick connect and tighten. Connect female quick connect from hose end to male quick connect. Make sure hose is routed away from all moving parts and is not kinked. Make sure all connections are tight.



Important: on Big Stuff Double Pack stuffing boxes do this step **BEFORE** installing the Trapper.

Step 5A Remove the existing 1/4" plug and install the 1/4" to 1/8" 90 degree bushing with male quick connect. Be sure to tighten both fittings. Connect female quick connect from hose end to male quick connect. Make sure hose is routed away from all moving parts and is not kinked. Make sure all connections are tight.



Step 6. Fill with grease.



Optional female quick connect with plug sold separately. PCC Part # 121-6439



A female quick connect with a plug can be added to protect the male quick connect in the stuffing box during work over.



500 W. Country Club Road • Chickasha, OK 73018

800-966-1265

Check out other innovative products at pollutioncontrolcorp.com

***BE SAFE. DO NOT USE POWER DRILL IN RESTRICTED AREAS.**